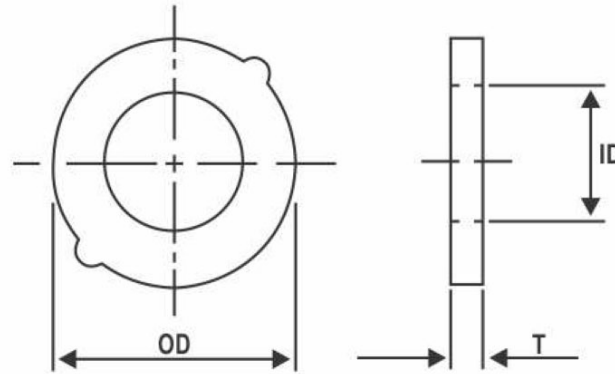
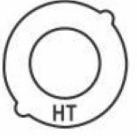


# H.S.S. WAHSERS CONFORMING TO IS : 6649



SIZE	M-16	M-20	M-22	M-24	M-27	M-30	M-36	HARDNESS	IDENTIFI- CATION
I.D.	18.00 - 18.43	22.00 - 22.52	24.00 - 24.52	26.00 - 26.52	30.00 - 30.52	33.00 - 33.62	39.00 - 39.62	35 HRC to 45 HRC	
O.D.	32.40 - 34.00	40.40 - 42.00	42.40 - 44.00	48.40 - 50.00	54.10 - 56.00	58.10 - 60.00	70.10 - 72.00		
THICKNESS	3.1 - 4.6	3.1 - 4.6	3.4 - 4.6	3.4 - 4.6	3.4 - 4.6	3.4 - 4.6	3.4 - 4.6		
WEIGHT Kg./1000 pcs.	2.03	31.3	33.2	44.7	54.8	61.4	89.7		