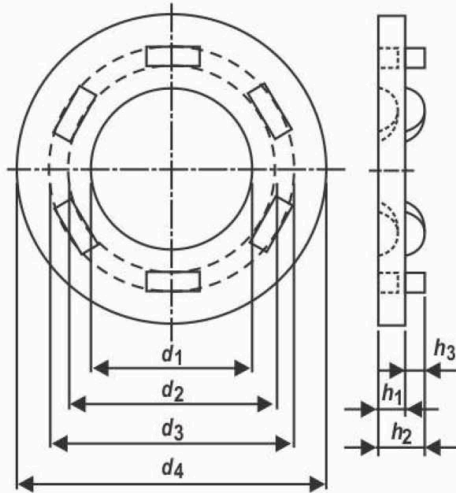


DIMENSION OF COMPRESSIBLE WASHER - TYPE DIRECT TENSILE INDICATOR



Key

- d_1 - Internal Diameter
- d_2 - External Diameter
- d_3 - Protrusion Tangential Diameter
- d_4 - Protrusion Internal Diameter
- h_1 - Material Thickness
- h_2 - Height Over Protrusions
- h_3 - Height of Protrusions



FOR USE WITH BOLT OF DESIGNATION	INTERNAL DIAMETER d_1		EXTERNAL DIAMETER d_2		MATERIAL THICKNESS h_1	INTERNAL DIAMETER h_2	INTERNAL DIAMETER h_3	INTERNAL DIAMETER d_3	INTERNAL DIAMETER d_4
	MIN.	MAX.	MIN.	MAX.	MIN.	MAX.	MIN.	MAX.	MIN.
M12	12.75	12.85	26.00	32.50	2.50	5.50	0.80	20.00	13.85
M16	16.75	16.85	35.00	36.80	3.00	6.00	0.80	25.00	17.85
M20	20.95	21.05	41.00	46.00	3.50	6.50	0.80	29.00	22.05
M22	23.05	23.15	46.50	50.60	4.00	7.00	0.80	33.00	24.15
M24	25.15	25.25	50.00	55.60	4.00	7.00	0.80	38.00	26.25
M27	28.30	28.40	54.00	62.10	4.00	7.00	0.80	43.00	29.40
M30	31.45	31.55	59.00	69.00	4.00	7.00	0.80	46.50	32.55
M36	37.75	37.85	78.00	83.00	4.00	7.00	0.80	56.00	38.85