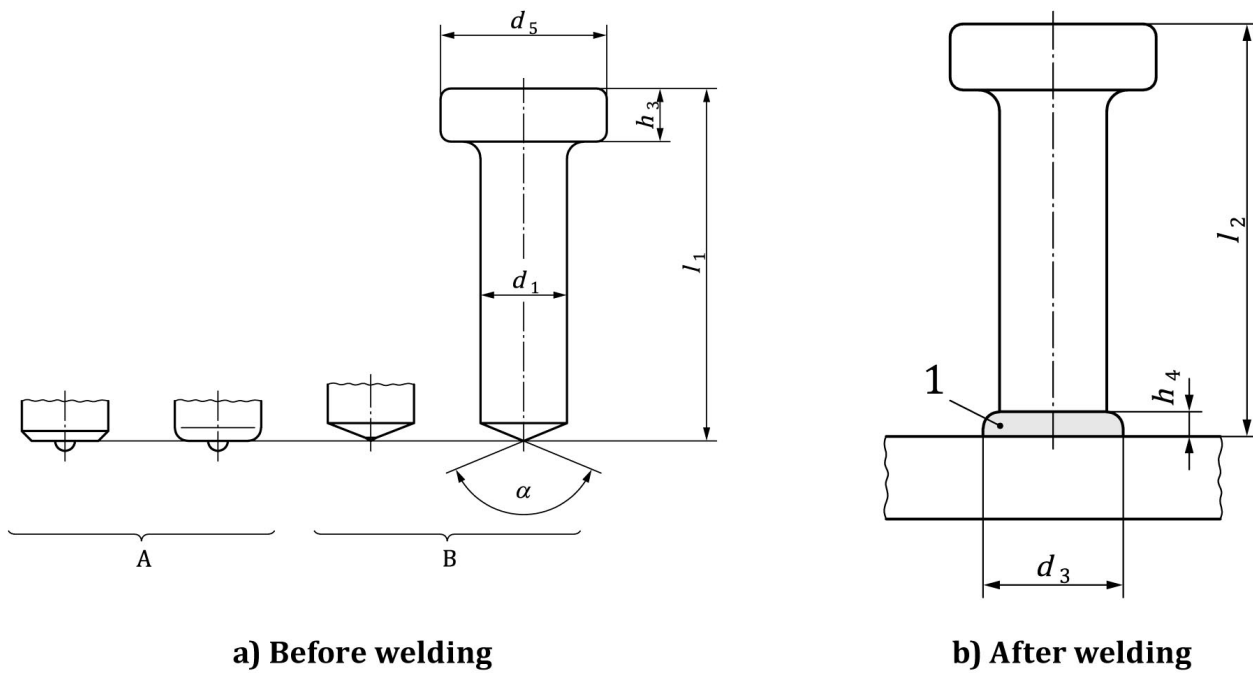


Shear connector (SD)



Key

- 1 weld collar
- A shape A of tip (example)s
- B shape B of tip (example)

Figure 8 — Shear connector (SD)

Table 10 — Dimensions of shear connectors (SD) with $l_2 \geq$

Dimensions in millimetres

$d_1 \pm 0,4^{a,e}$	9,5	10	12,7	13	16	19	22	25	25,4
$d_5 \pm 0,3^e$	19		25		32 ^d	32	35	40	41
$d_3^{c,f}$	13		17		21	23	29		31
$h_3^{+1}_{-0,5}$	7		8		8	10	10		12
$h_4^{c,f}$	2,5		3		4,5	6	6		7
$\alpha \pm 7^\circ$	140°								
$l_1 \pm 1,5$	$l_2^{b,c} + 3$		$l_2^{b,c} + 3$		$l_2^{b,c} + 4$	$l_2^{b,c} + 4,5$	$l_2^{b,c} + 5$		$l_2^{b,c} + 5,5$

a Excess diameter or production impressions in the shaft area below the head are permitted up to 0,5 mm, provided they do not affect proper plunge.

b Tolerance on l_2 is $^{+1,5}_{-2}$ mm.

c For special conditions, e.g. through-deck stud welding, the dimensions and the tolerances are not applicable.

d May be reduced to 29 mm for shear application.

e Use of the optional dimension depends on national regulations.

f The given values are for guidance only.

g The minimum of l_2 is approximately three times d_1 .